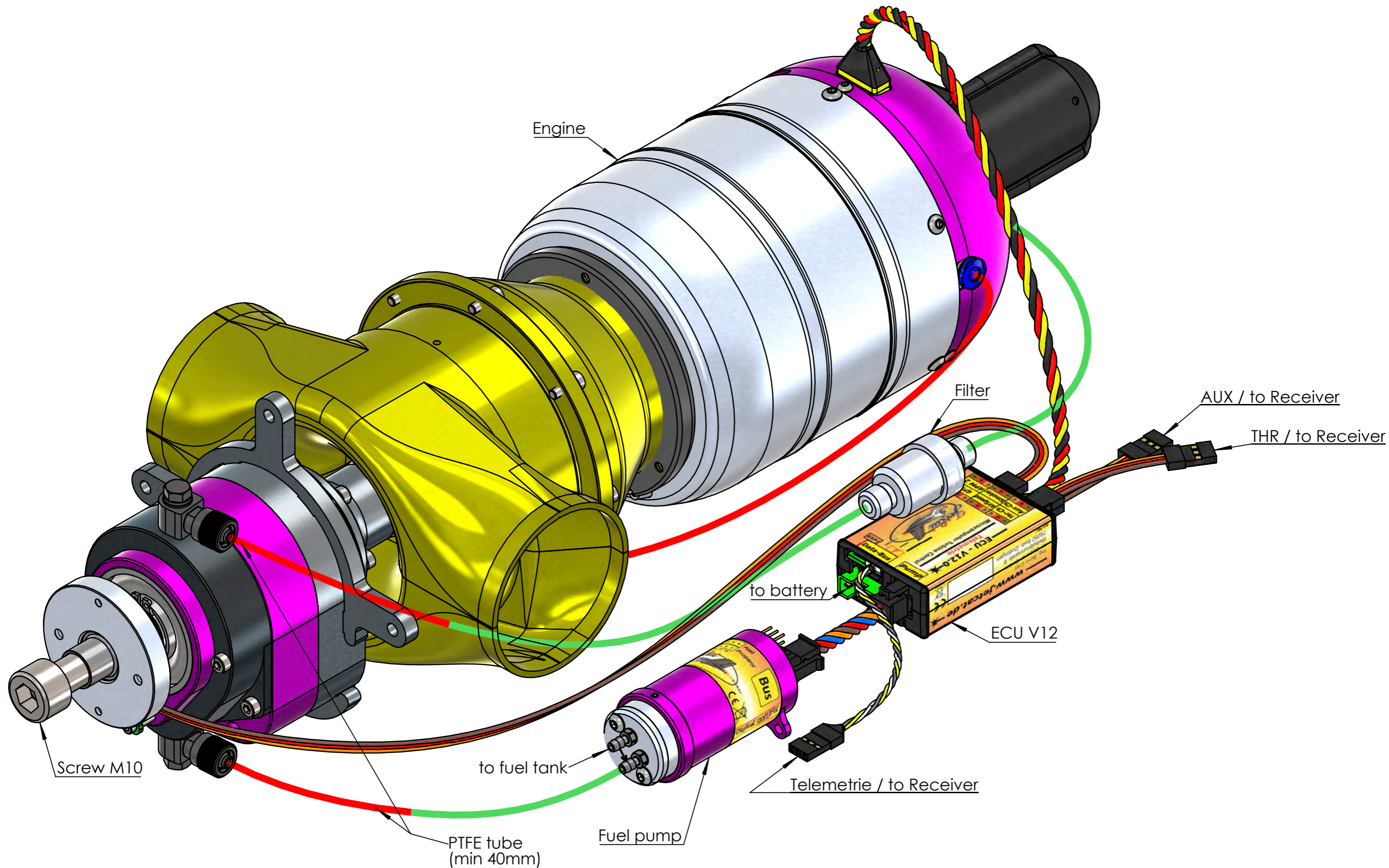


— Tube $\varnothing 4$
— PTFE tube $\varnothing 4$



— Tube $\phi 4$
— PTFE tube $\phi 4$

